

ZWS300 SERIES

AC/DC Single Output: 300 Watts



Features

- Input 110 / 240 VAC auto select.
- 3V~48V output models.
- Overvoltage and overload protection.
- Cost effective open frame package.
- High peak capability.
- Safety approvals to IEC950, EN60950, UL1950
- Convection cooled to 200W.
- Forced air cooling 300W.
- Adjustable output.
- EMC compliant to EN55022-B
- Optional remote On/Off.
- Suitable for a wide range of industrial applications.
- Optional enclosed package

MODEL	Output V	Output A (A ¹)	Power W
ZWS300 - 3	3V	40A (60A)	132W / 198W ²
ZWS300 - 5	5V	40A (60A)	200W / 300W ²
ZWS300 - 12	12V	17A (27A)	204W / 324W ²
ZWS300 - 15	15V	14A (22A)	210W / 330W ²
ZWS300 - 24	24V	9A (14A)	216W / 336W ²
ZWS300 - 48	48V	4.2A (6.3A)	201W / 302W ²

NOTES:

1. Peak output (in brackets) with forced air cooling.
2. Peak output power with forced air cooling.

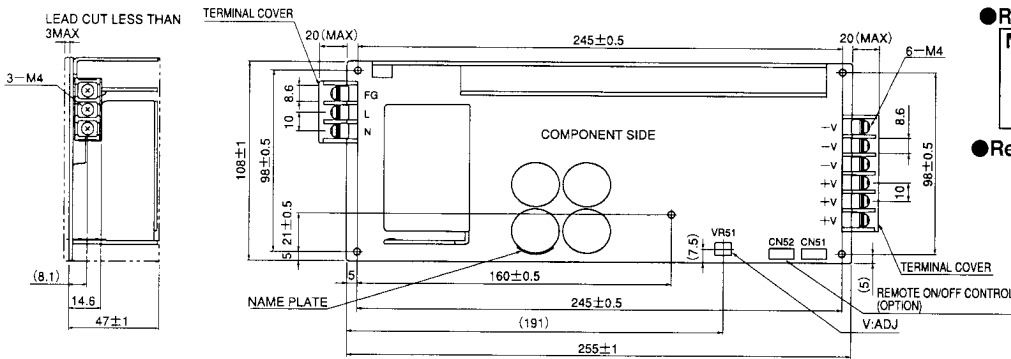
Specifications

INPUT VOLTAGE:	85 ~132/170~265V auto ranging
FREQUENCY:	47 ~ 440Hz
INPUT CURRENT:	7.5A @ 110VAC, 4.5A @ 230VAC
EFFICIENCY:	Model dependent typically 72~86%
OUTPUT VOLTAGE:	3V~48V models
VOLTAGE ADJUSTMENT:	Output voltage adjustment by on-board trim pot, typically ±10%
OUTPUT POWER:	Refer to table, typically 200W convection cooled and 300W with forced air cooling
RIPPLE & NOISE:	3~5V @ 120mV, 12~24V @ 150mV and 48V models @ 400mV
LINE REGULATION:	Model dependent, typically 0.4%
LOAD REGULATION:	Model dependent, typically 0.8%
TEMP. CO-EFFICIENT:	Less than 0.02% per °C
OVERLOAD PROTECTION:	Current limiting with auto recovery. Set at: 3~5V @ 63A, 12V @ 29A, 15V @ 23A, 24V @ 15A, 48V @ 6.7A
OVP:	Set at 115~140%. Unit will shut down, reset AC line to restart
HOLD UP TIME:	Typically 20ms
REMOTE SENSE:	Standard
REMOTE ON/OFF:	Optional
PARALLEL OPERATION:	Not possible
SERIES OPERATION:	Yes
OPERATING TEMP:	Convection cooling: -10°C to 40°C at 100%, 50°C @ 80%, 70°C @ 60% load. Forced cooling: consult office for details
HUMIDITY:	10~95% RH non condensing
COOLING:	Convection/forced air options
ISOLATION:	Input - output/chassis 3000VAC/2000VAC Output - chassis 500VAC
VIBRATION:	10~55Hz 2G, constant, X, Y, Z for one hour
SHOCK:	Less than 20G
SAFETY:	Approved to UL1950, EN60950, CSA
EMC:	Conducted/radiated: EN55022-B
CONNECTIONS:	Screw terminals
DIMENSIONS:	255 x 108 x 50mm (vertical terminals) 295 x 108 x 50mm (horizontal terminals)
WEIGHT:	1kg.

ZWS-SERIES

PC Board Type Power Supply

ZWS300-□ (Horizontal terminal type)



● Recommended Noise Filter

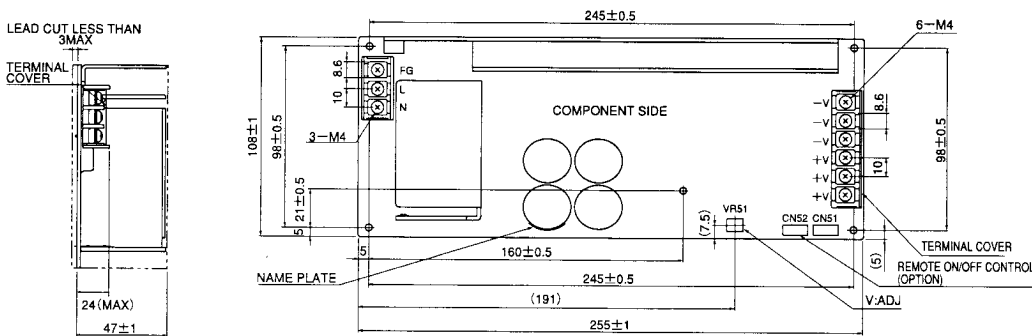


GO!!
P137

● Recommended Wire harness
GO!!
P209

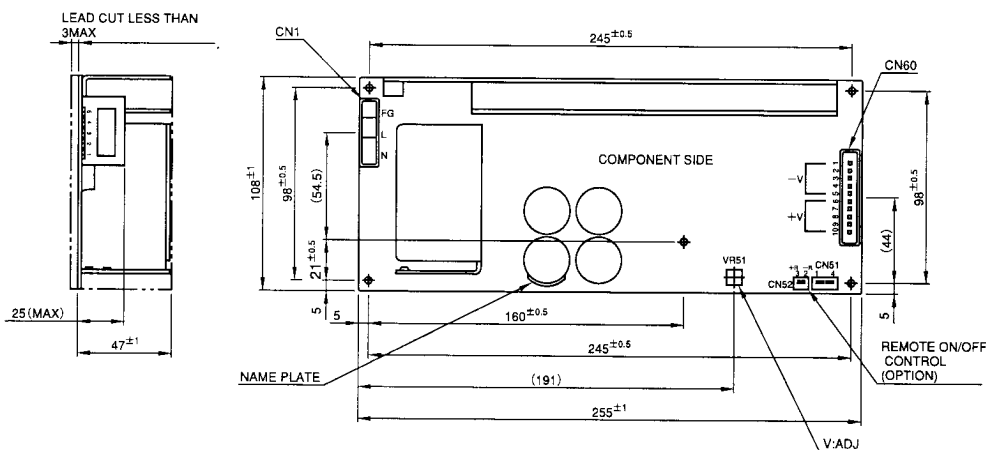
(Unit: mm)

ZWS300-□/T (Vertical terminal type)



(Unit: mm)

ZWS300-□/B (Input/Output connector terminal type {Only for 12V~48V output type})



(Unit: mm)