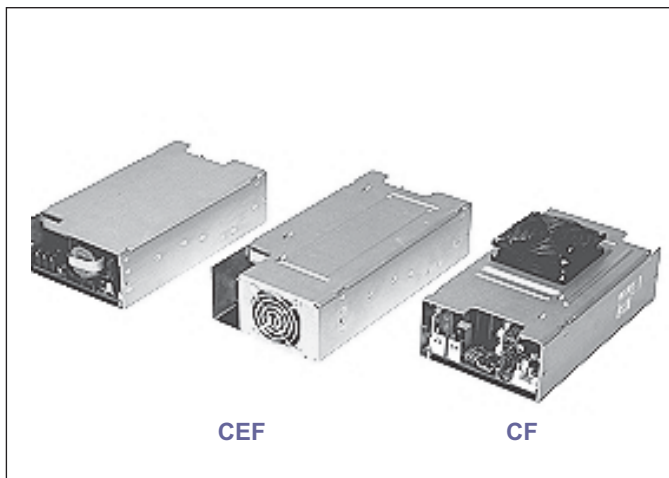


# LPQ SERIES

AC/DC Triple Output: 150 ~ 300 Watts



## Features

- Flexible design for OEM applications
- Optional single output models LPS250 and LPS350
- Auto ranging or universal 85 - 264 VAC input
- Active power factor correction 0.99
- EN61000-3-2 harmonics compliance LPQ250-350
- Remote sense on main output
- Single wire current share for parallel operation
- Floating V4 with wide adjustment range
- Power Fail and Remote Inhibit signals
- Built-in EMI filter
- Overload and overvoltage protection
- Thermal overload protection
- Safety to all international standards: IEC950, UL1950, EN60950, CSA, CB Report, BABT
- CE marked
- Optional fan cover assemblies
- Low ripple typically 1% pk - pk V out
- High MTBF

## Optional Single Output Models with Wide Adjustment Range:

V1	Range	LP250	LP350
5V	(3 - 6V)	50A	70A
12V	(6 - 12V)	21A	29A
15V	(12 - 24V)	16.7A	23.3A
24V	(24 - 48V)	10.4A	16A

## Dimensions

LPQ150: 216 X 108 X 38mm open frame  
 LPQ250: 229 X 127 X 77mm top mounted fan  
 LPQ250: 262 x 127 x 51mm end mounted fan  
 LPQ350: 229 x 127 x 89mm top mounted fan  
 LPQ350: 260 x 127 x 64mm end mounted fan

## Specifications

<b>INPUT VOLTAGE:</b>	LPQ150: 110/240 auto ranging 220~370 VDC LPQ250~350: 85~264 VAC, 120~370 VDC
<b>FREQUENCY:</b>	LPQ150: 47~63Hz LPQ250~350: 47~440Hz
<b>INRUSH CURRENT:</b>	Typically 38A max., cold start
<b>EFFICIENCY:</b>	Model dependent 75%
<b>EMI FILTER LPQ150:</b>	Conducted: FCC Class B, EN55022 Class B
<b>EMI FILTER LPQ250~350:</b>	Conducted: FCC Class B, EN55022 Class B
<b>POWER FACTOR:</b>	LPQ250 - 350 0.99 EN61000-3-2
<b>LEAKAGE CURRENT:</b>	<0.5mA @ 50/60Hz 240 VAC input
<b>OUTPUT POWER:</b>	LPQ150: 110 - 150W LPQ250: 250W with fan cooling LPQ350: 350W with fan cooling
<b>VOLTAGE ADJUSTMENT:</b>	V1: ±5.0% V4: 3.3/5V~25V
<b>MINIMUM LOAD:</b>	Minimum load required, refer to table
<b>TOTAL REGULATION:</b>	±3% line, load and cross regulation
<b>PARALLEL OPERATION:</b>	Yes with single wire current sharing
<b>HOLD UP TIME:</b>	20ms @ nominal input and full load
<b>OVERLOAD PROTECTION:</b>	Short circuit protection on all outputs. Case overload protected @ 100-145% above peak rating
<b>OVERVOLTAGE PROTECT:</b>	V1 only on LPQ150 All outputs LPQ250 - 350 @ 110 - 125%
<b>POWER FAILURE:</b>	TTL logic signal goes high 50 - 150msec after 5V output. It goes low at least 3msec before loss of regulation
<b>REMOTE INHIBIT:</b>	LPQ150: Requires an external TTL high signal to inhibit outputs. LPQ250-350: Requires an external contact relay (N.O or N.C.)
<b>DC OK:</b>	LPQ250-350: TTL logic goes high 50 - 150msec after 5V output. It goes low when there is loss of regulation
<b>REMOTE SENSE:</b>	Main output maximum 0.5V lead drop
<b>OPERATING TEMP:</b>	0°C to 50°C at rated load. Derate 2.5% per degree from 50°C to 70°C
<b>EMC:</b>	IEC801, -2, -3, -4, -5, -6 level 3 EN61000 - 3 - 2 harmonics LPQ250 - 350
<b>HUMIDITY:</b>	5% to 95% operating non-condensing
<b>MTBF:</b>	>550,000 hours @ 25°C
<b>SAFETY:</b>	EN60950, UL1950, CSA, IEC950

## LPQ SERIES

AC/DC Triple Output: 150 ~ 300 Watts

Model	V out	Minimum Load	A out convection cooling	A out 30 CFM Forced Air	A Peak	Power W 30 CFM Air (no cover)
LPQ152	+5V +12V -12V ±5 - 25V	2A 0.1A 0.1A 0A	15A 6A 2A 2.5A	22A 8A 2.5A 3.A	30A 10A 3A 3A	150W
LPQ153	+5V +15V -15V ±5 - 25V	2A 0.1A 0.1A 0A	15A 4.8A 1.6A 2.5A	22A 6.4A 2A 3A	30A 8A 2.4A 3A	150W
LPQ154	+5V +12V -12V 24V	2A 0.1A 0.1A 0.5A	15A 6A 2A 3.5A	22A 8A 2.5A 4.5A	30A 10A 3A 5A	150W

- Open Frame maximum power 110W convection cooling
- Open Frame maximum power 150W with system 30CFM air cooling
- "C" optional Cover maximum power 130W with system 30CFM air cooling

Model	V out	Minimum Load	A out convection cooling	A out 30 CFM Forced Air	A Peak	Power W 30 CFM Air
LPQ252	+5V +12V -12V ±5 - 25V	3A 0A 0A 0A	N/A	35A 10A 6A 6A	40A 12A 8A 8A	250W
LPQ253	+5V +15V -15V ±5 - 25V	3A 0A 0A 0A	N/A	35A 10A 6A 6A	40A 12A 8A 8A	250W

- "CF" optional fan cover assembly (top mounted fan)
- "CFE" optional fan cover assembly (end mounted fan)

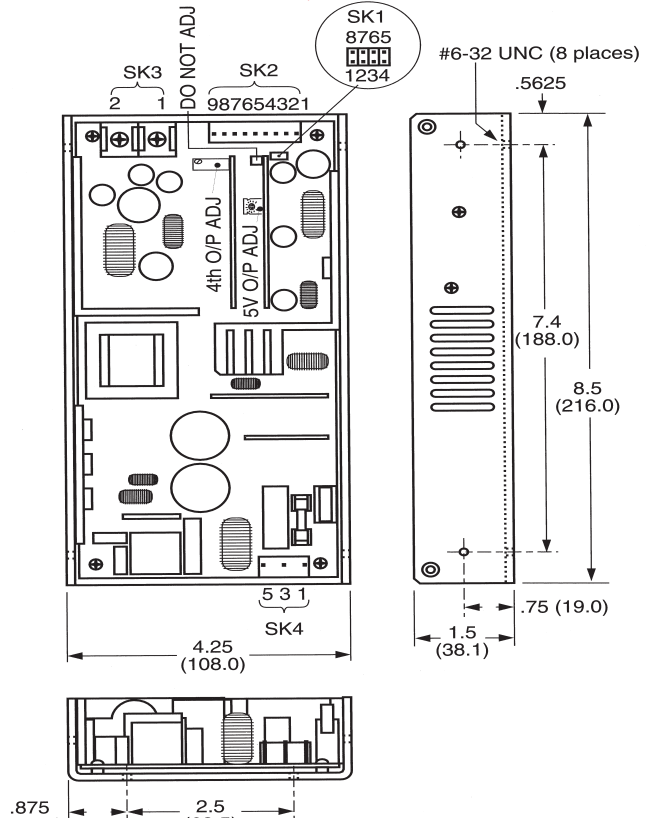
Model	V out	Minimum Load	A out convection cooling	A out 30 CFM Forced Air	A Peak	Power W 30 CFM Air
LPQ352	+5V +12V -12V 3.3 - 24V	5A 0A 0A 0A	N/A	50A 12A 6A 6A	60A 14A 8A 8A	350W
LPQ353	+5V +15V -15V 3.3 - 24V	5A 0A 0A 0A	N/A	50A 12A 6A 6A	60A 14A 8A 8A	350W

- "CF" optional fan cover assembly (top mounted fan)
- "CFE" optional fan cover assembly (end mounted fan)

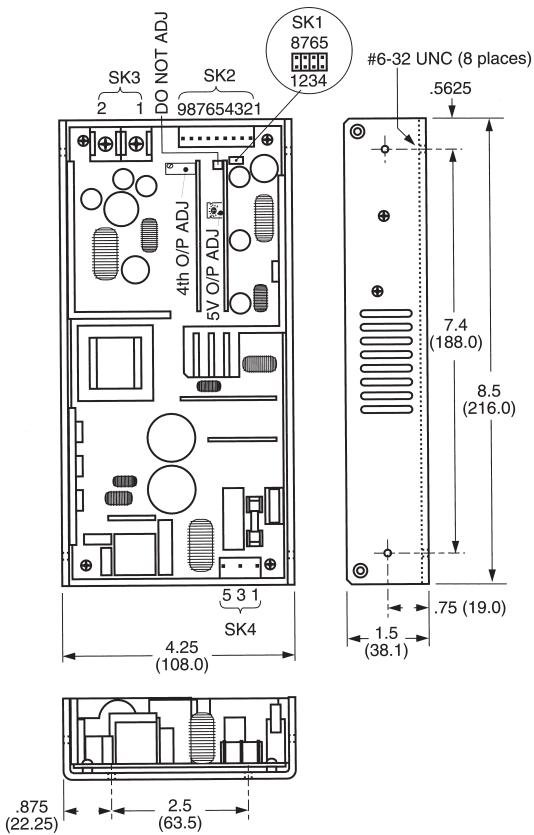
# LPQ SERIES

AC/DC Triple Output: 150 ~ 300 Watts

## LPQ250



## LPQ150



## LPQ350

