

HBC200-500 SERIES

AC/ DC Power Supplies: 200 ~ 500 Watts



Features

- Three power levels, 200, 300 & 500 watts
- Convection cooled: No fans
- Over voltage protection
- Overload and short circuit protection
- MTBF > 130,000hrs
- Specials output voltage options
- Any output from 24vdc ~ 125vdc possible
- **N+1** Redundancy Applications – option
- Output DC Fail alarm -Option
- Battery Charging applications - Option

General Specifications

Input Voltage	115 /230VAC (±15%) Selection by internal link (set for 240VAC) Other voltages on request
Frequency	47 – 63Hz
Input Protection	Inrush current limiting Varistor Internal safety fuse
Isolation	Input - Output 4300vdc Input – Chassis 2250vdc Output – Chassis 500vdc
Efficiency	Model dependent , typically 80%
Output voltage	See tables
Output Power	200-500 watts
Parallel Operation	Optional
Voltage adjustment	Customer specified, typically 5%
Regulation	Output voltage dependant Typically: ±3-5%
Output Protection	Over voltage protection Constant Current limiting & short circuit protection
EMI	EN55022 class A
Immunity	EN61000-4
Shock & Vibration	Designed to meet IEC61373 Cat 1 A & B
Operating Temp.	0°C to +50°C at full load. +70°C at 50% load.
Cooling	Convection & Conduction via base plate
Dimensions	HBC200: 114 x 58 x 256mm (F2) 1.2kg HBC300: 132 x 64 x 300mm (F3) 2.0kg HBC500: 132 x 64 x 353mm (F4) 2.2kg

Description

The **HBC200-500** Series Industrial AC/DC power supplies, is mainly intended for special output voltages, in a wide range of industrial applications.

Cooling is by natural convection and conduction via the base plate for optimum performance....no fans.

Optional ruggedizing & conformal coating is available, for immunity to shock, vibration, humidity, moisture, dust and insects.

In addition, a range of options are available, allowing customers total flexibility to specify a unit that is specific to their application.

Options

Output Voltage	Special voltage output, up to 125VDC
Alarm	Voltage Free contacts
N+1 Redundancy	Output redundancy diode for parallel operation
Rack mount	Various 19in Rack mount options

Part No Configuration:

HBC300-E/48FT (240VAC / 48V 300W)

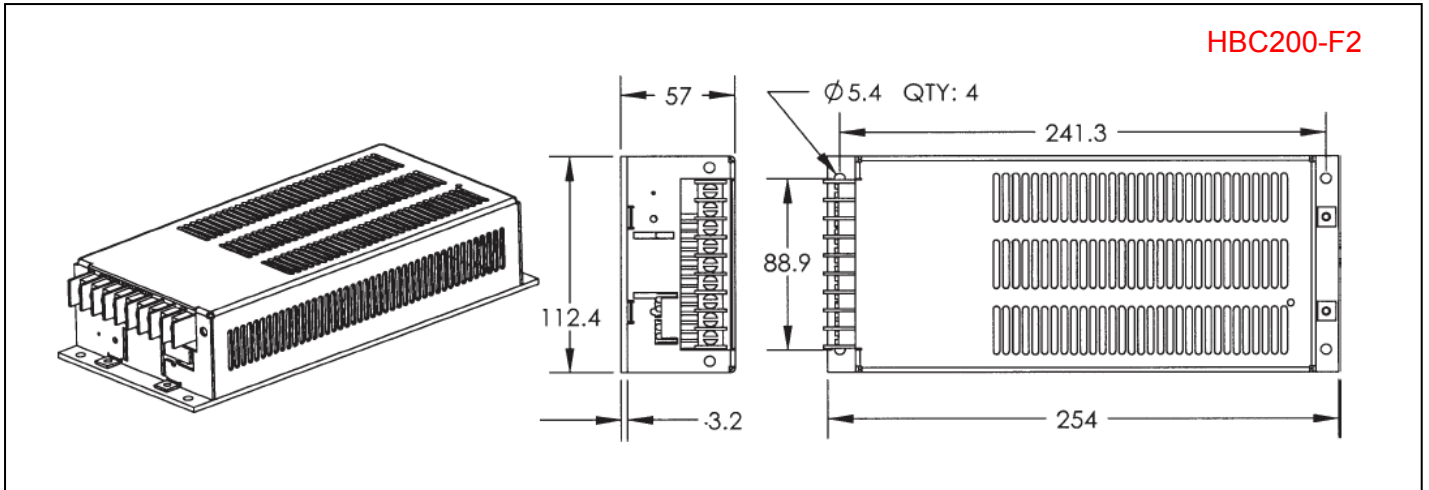
Series / Power	Input V	Output V	Options
HBC200=200W	E = 240VAC	24	Factory Assigned No.
HBC300=300W		28	
HBC500=500W		30	
		36	
		48	
		60	
	72		
		110	
		120	
		125	

- Output voltage is customer specified, together with any special options / features.

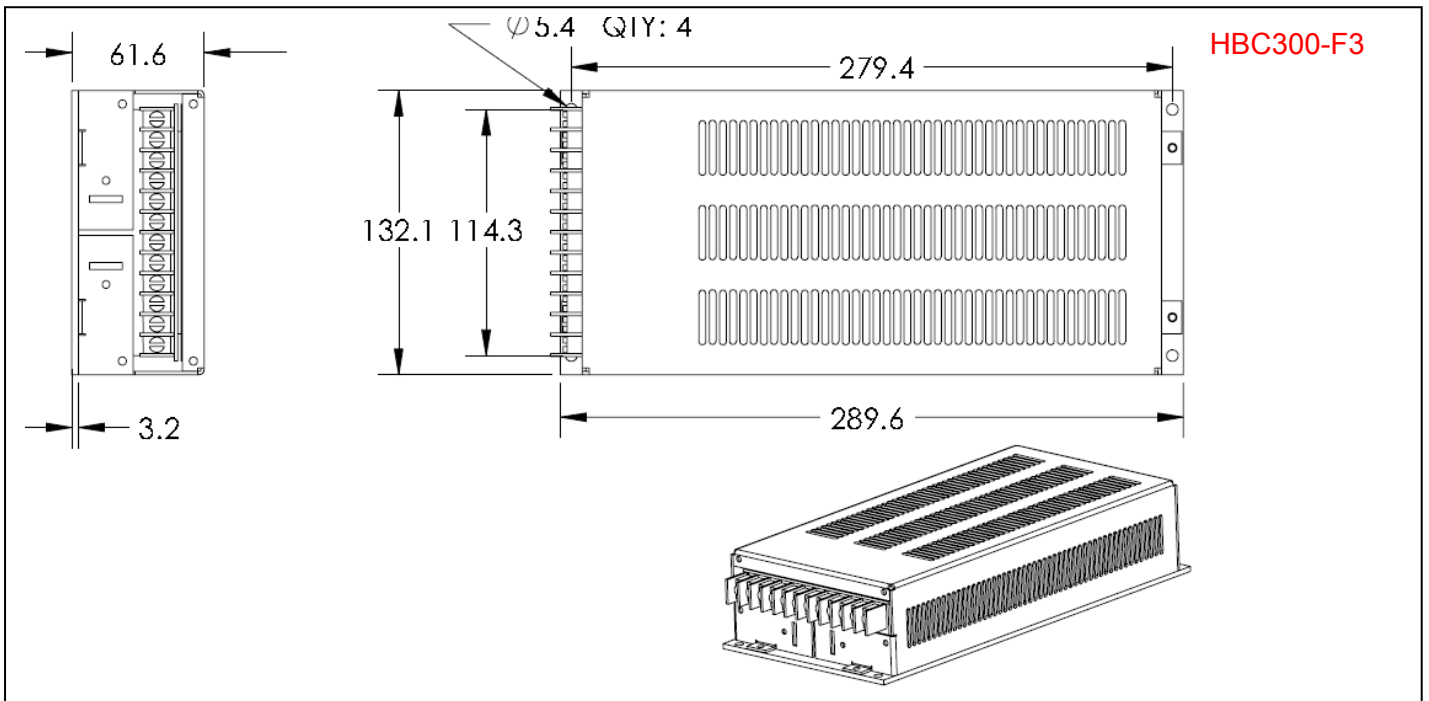
HBC200-500 SERIES

AC/ DC Power Supplies: 200 ~ 500 Watts

HBC200-F2



HBC300-F3



HBC500-F4

