

DFE Series -DIN Rail Mount

DC/DC Converters: 15 ~ 60 Watts



Features

- DIN Rail DC/DC Converters
- Output Power from 15W to 60 W
- Offer Single, Dual Output
- Meet EN55022 Class B
- Internal input fuse protection
- Internal input reverse polarity protection
- Internal input in-rush current limit circuit
- Overload and short circuit protection
- Over voltage protection
- Compliant to RoHS EU DIRECTIVE 2002/95/EC
- Reliable snap-on for DIN rail TS-35/7.5 OR TS-35/15
- I/O-isolation 1600 VDC
- Operating temperature -40°C TO +85°C
- Case protection meet IP20(IEC60529)
- Output DC-OK indicator

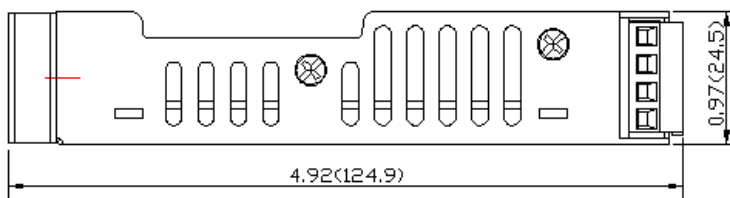
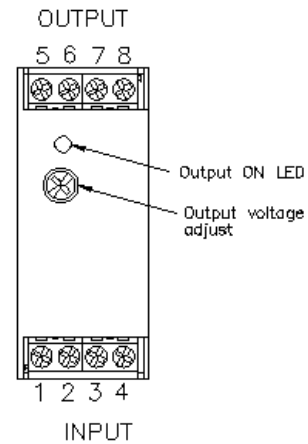
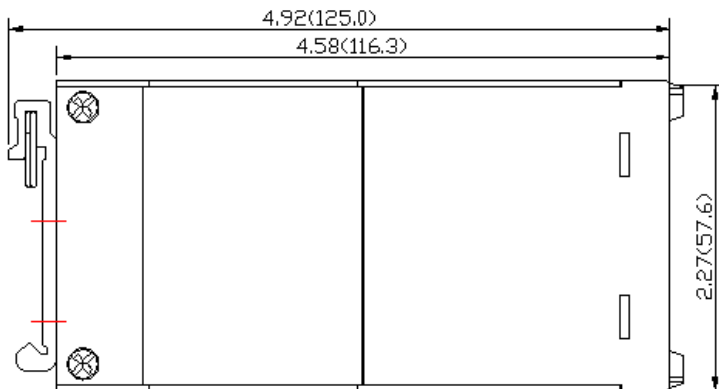
Description

The DFE series was designed, to convert pcb converter modules to DIN-Rail converters. Easy installation is provided with snap-on mounting on the DIN-rail. Internal protection circuits such as input reversal and in-rush current limit protection, as well as output short-circuit and over-voltage protection.

A green LED at the front displays the status of the output(s).

For "detailed" specification on each model, refer to FEC Series dc/dc converters

Mechanical Details.



All dimensions in Inches (mm)
Tolerance: X.XX±0.04 (X.X±1.0)
X.XXX±0.02 (X.XX±0.5)

| PIN CONNECTION | | | |
|----------------|---------|---------|------------|
| PIN | SINGLE | DUAL | TRIPLE |
| 1 | CTRL | CTRL | CTRL |
| 2 | -INPUT | -INPUT | -INPUT |
| 3 | -INPUT | -INPUT | -INPUT |
| 4 | +INPUT | +INPUT | +INPUT |
| 5 | NC | NC | +AUXILIARY |
| 6 | -OUTPUT | -OUTPUT | COMMON |
| 7 | +OUTPUT | COMMON | -AUXILIARY |
| 8 | NC | +OUTPUT | +OUTPUT |

※ NC : No Connection

※ Screw terminals – wire range from 14 to 18 AWG

DFE Series – DIN Rail Mount

DC / DC Converters Single & Dual: 15 ~ 60 Watts

| Model | Input V | Output Options | | | | Trim | Power W |
|----------------------|----------|----------------|-------------|-------------|------------|------|---------|
| | | V out / | | Output A | | | |
| DFEC15-24SXXW | 9.5-36V | 3.3V 4.5A | 5V 3.0A | 12V 1.25A | 15V 1.0A | NA | 15W |
| DFEC15-24DXXW | 9.5-36V | ±5V 1.5A | ±12V 0.625A | ±15V 0.5A | | NA | 15W |
| DFEC15-48SXXW | 18-75V | 3.3V 4.5A | 5V 3.0A | 12V 1.25A | 15V 1.0A | NA | 15W |
| DFEC15-48DXXW | 18-75V | ±5V 1.5A | ±12V 0.625A | ±15V 0.5A | | NA | 15W |
| DFED20-24SXXW | 9.5-36V | 3.3V 5.5A | 5V 4.0A | 12V 1.67A | 15V 1.33A | YES | 20W |
| DFED20-24DXXW | 9.5-36V | ±5V 2.0A | ±12V 0.833A | ±15V 0.667A | | NA | 20W |
| DFED20-48SXXW | 18-75V | 3.3V 5.5A | 5V 4.0A | 12V 1.67A | 15V 1.33A | YES | 20W |
| DFED20-48DXXW | 18-75V | ±5V 2.0A | ±12V 0.833A | ±15V 0.66A | | NA | 20W |
| DFED20-12SXX | 9.5V-18V | 3.3V 5.0A | 5V 4.0A | 12V 1.67A | 15V 1.33A | YES | 20W |
| DFED20-12DXX | 9.5-18V | ±12V 0.833A | ±15V 0.667A | | | NA | 20W |
| DFED20-24SXX | 18-36V | 3.3V 5.0A | 5V 4.0A | 12V 1.67A | 15V 1.33A | YES | 20W |
| DFED20-24DXX | 18-36V | ±12V 0.833A | ±15V 0.667A | | | NA | 20W |
| DFED20-48SXX | 36-75V | 3.3V 5.0A | 5V 4.0A | 12V 1.67A | 15V 1.33A | YES | 20W |
| DFED20-48DXX | 36-75V | ±12V 0.833A | ±15V 0.667A | | | NA | 20W |
| DFEC30-24SXXW | 10-40V | 3.3V 6.0A | 5V 6.0A | 12V 2.5A | 15V 2.0A | YES | 30W |
| DFEC30-24DXXW | 10-40V | ±12V 1.25A | ±15V 1.0A | | | NA | 30W |
| DFEC30-48SXXW | 18-75V | 3.3V 6.0A | 5V 6.0A | 12V 2.5A | 15V 2.0A | YES | 30W |
| DFEC30-48DXXW | 18-75V | ±12V 1.25A | ±15V 1.0A | | | NA | 30W |
| DFEC30-12SXX | 9.5-18V | 3.3V 6.0A | 5V 6.0A | 12V 2.5A | 15V 2.0A | YES | 30W |
| DFEC30-12DXX | 9.5-18V | ±12V 1.25A | ±15V 1.0A | | | NA | 30W |
| DFEC30-24SXX | 18-36V | 3.3V 6.0A | 5V 6.0A | 12V 2.5A | 15V 2.0A | YES | 30W |
| DFEC30-24DXX | 18-36V | ±12V 1.25A | ±15V 1.0A | | | NA | 30W |
| DFEC30-48SXX | 36-75V | 3.3V 6.0A | 5V 6.0A | 12V 2.5A | 15V 2.0A | YES | 30W |
| DFEC30-48DXX | 36-75V | ±12V 1.25A | ±15V 1.0A | | | NA | 30W |
| DFEC40-24SXXW | 9.5-36V | 3.3V 10.0A | 5V 8.0A | 12V 3.33A | 15V 2.66A | YES | 40W |
| DFEC40-24DXXW | 9.5-36V | ±12V 1.667A | ±15V 1.333A | | | NA | 40W |
| DFEC40-48SXXW | 18-75V | 3.3V 10.0A | 5V 8.0A | 12V 3.33A | 15V 2.666A | YES | 40W |
| DFEC40-48DXXW | 18-75V | ±12V 1.667A | ±15V 1.333A | | | NA | 40W |
| DFEC40-12SXX | 9.5-18V | 3.3V 8.0A | 5V 8.0A | 12V 3.333A | 15V 2.666A | YES | 40W |
| DFEC40-12DXX | 9.5-18V | ±12V 1.8A | ±15V 1.4A | | | NA | 40W |
| DFEC40-24SXX | 18-36V | 3.3V 8.0A | 5V 8.0A | 12V 3.333A | 15V 2.666A | YES | 40W |
| DFEC40-24DXX | 18-36V | ±12V 1.8A | ±15V 1.4A | | | NA | 40W |
| DFEC40-48SXX | 36-75V | 3.3V 8.0A | 5V 8.0A | 12V 3.333A | 15V 2.666A | YES | 40W |
| DFEC40-48DXX | 36-75 | ±12V 1.8A | ±15V 1.4A | | | NA | 40W |
| DFEC60-24SXX | 18-36V | 3.3V 14.0A | 5V 12.0A | 12V 5.0A | 15V 4.0A | YES | 60W |
| DFEC60-48SXX | 36-75V | 3.3V 14.0A | 5V 12.0A | 12V 5.0A | 15V 4.0A | YES | 60W |

Model Configuration:

1. Select Output power required
2. Select input voltage required
3. Select single output voltage option codes; (3.3 05 12 15)
4. Select dual output voltage option codes: (12, 15)
5. **Replace XX** with output voltage required
6. Examples Single Outputs: **DFEC15-24S05W**, **DFEC15-24S12W**, **DFEC15-48S15W**
7. Examples Dual Outputs: **DFEC20-24D12W**, **DFED20-48D15W**, **DFEC30-12D12**