

# C-CL01-002

## DIN Rail Mounting Clip ( FM 4/TS35 )

### Technical data

#### Dimensions

Length	50.2 mm	Width	14 mm
Height	7 mm		

#### Temperature

Ambient temperature (operational)	n/a	Storage temperature	n/a
-----------------------------------	-----	---------------------	-----

#### Material data

Material	Steel, bright finish	Colour	silver
----------	----------------------	--------	--------

#### System specifications

Product fixture	M4 mtg hole provided	Mounting rail	TS 35
-----------------	----------------------	---------------	-------

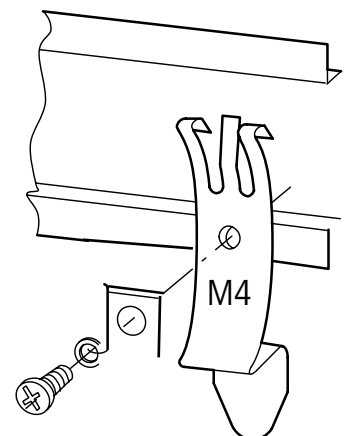
#### Additional technical data

#### Approvals

Approvals institutes

#### Classifications

ETIM 2.0	EC000483	ETIM 3.0	EC000483
UNSPSC	30-21-18-11	eClass 4.1	27-14-11-99
eClass 5.1	27-14-11-45	eClass 6.0	27-18-92-34



The C-CL01-002 clip can be attached to almost any dc power supply / converter, for DIN Rail mounting applications. It's simply attached to the power supply by one or two screws, depending on the product.