

# BCH1K5F / BCH2KF SERIES

Battery Chargers: 1000 ~ 2000 Watts



## Specifications

<b>Input Voltage</b>	230VAC ( 190 ~ 264 )
<b>Input Frequency</b>	47 ~ 63Hz
<b>Input Current</b>	9.5A 1kw, 14A 1.5kw, 19A 2kw
<b>Input Protection</b>	Inrush current limiting Transient protection / Varistors Internal safety fuse
<b>Isolation</b>	Input – Output: 4300vdc Input - Chassis 2250vdc Output – Chassis 500vdc
<b>Efficiency</b>	Typically 80%
<b>Output voltage</b>	See table
<b>Output Power</b>	1000 ~ 2000 watts
<b>Voltage adjustment</b>	24V: 24-28V 48V 48-56V 96V: 108-127V 108V: 108-127V
<b>EMC</b>	EN55022 Class A
<b>Immunity</b>	EN 61000-4-2 (ESD) EN 61000-4-3 (RF Immunity) EN 61000-4-4 (Fast Transients) EN 61000-4-6 (Conducted Imm.)
<b>Switching Freq.</b>	Typically 55KHz
<b>Output Diode</b>	Internally fitted output isolation diode
<b>Parallel operation</b>	Yes
<b>Regulation</b>	Line: $\pm 1\%$ Load: $\pm 1.5\%$
<b>Output Ripple/Noise</b>	Typically <1% of output voltage
<b>Overload Protection</b>	Constant current limiting with short circuit protection. Battery must be externally fused.
<b>Thermal Protection</b>	Thermal shutdown with auto recovery, when unit cools down.
<b>Overvoltage Protection</b>	Yes. Recycle mains input to re-set
<b>Operating Temp.</b>	0°C to +50°C at full load. Derate 2.5% per °C to +70°C.
<b>Temperature Drift</b>	0.03% per °C over operating range

## Features

- Three power levels: 1KW, 1.5KW & 2KW
- Industrial grade product
- Fully isolated input – output
- Over voltage protection
- Overload and short circuit protection
- Inrush current limiting
- MTBF > 150,000hrs
- Any output from 24vdc ~ 120vdc possible
- Customised mechanical solutions on request
- Power Fail / Charger Fail Alarm
- Battery Low Alarm

## Description

The **BCH1K ~ 2K** series battery charger is a rugged, industrial-grade product, using field- proven design suitable for use in DC battery back-up applications.

It is a mature product providing excellent reliability and performance and delivering up to 2000 watts of output power.

The two alarms provide external monitoring of Power Fail / Charger Fail and Battery Low via voltage free contacts. The chassis-mount design feature allows for easy mounting.

Additional ruggedizing and conformal coating are available for applications requiring higher immunity to shock, vibration, humidity, moisture, dust and insects.

## Options

<b>TBC</b>	Temperature Battery Compensation Charging
<b>TIM</b>	Automatic Battery Testing
<b>Boost</b>	A variety of boost options

## Specifications Cont.

<b>Cooling</b>	Fan cooled
<b>Shock &amp; Vibration</b>	IEC61373 Cat 1 A&B
<b>Humidity</b>	5-95% non-condensing
<b>MTBF</b>	>150,000hrs @ 45°C
<b>Indicator</b>	Green LED visible through cooling slots
<b>Alarm Output</b>	<ul style="list-style-type: none"><li>• Power Fail / Charger Fail Alarm</li><li>• Low Battery Alarm</li></ul> Both Alarms are CLOSE FAIL with common return Low battery only operative if power / charger fails.
<b>Connections</b>	Terminal block / barrier strip with 3/8" spacing
<b>Dimensions</b>	349 x 237 x 66mm ( FF6 )
<b>Weight</b>	3.6kg

# BCH1K5F / BCH2KF SERIES

Battery Chargers: 1000 ~ 2000 Watts

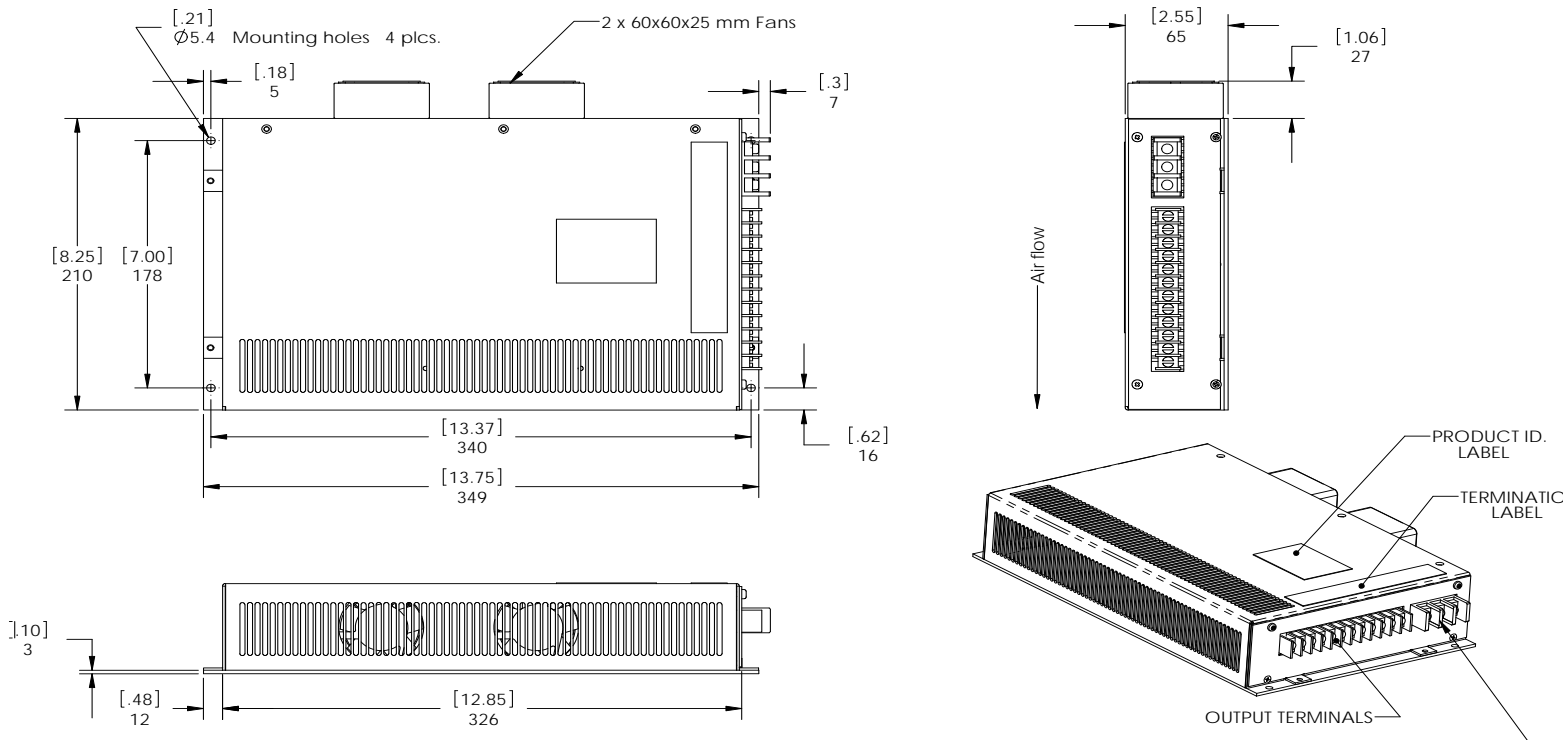
Model	Output			Power W
	Nom V	Float V	A	
BCH1KF-28FT	24V	27.6V	36A	1000W
BCH1KF-55FT	48V	55.2V	18A	1000W
BCH1K5F-28FT	24V	27.6V	50A	1400W
BCH1K5F-55FT	48V	55.2V	27A	1500W
BCH1K5F-110FT	96V	108.0V	12A	1500W
BCH1K5F-110FT	108V	124.0V	12A	1500W

Model	Output			Power W
	Nom V	Float V	A	
BCH2KF-28FT	24V	27.6V	70A	2000W
BCH2KF-55FT	48V	55.2V	36A	2000W
BCH2KF-110FT	96V	108.0V	16A	2000W
BCH2KF-110FT	108V	124.0V	16A	2000W

110V model adjustable for use on 96V or 108V nominal battery systems

110V model adjustable for use on 96V or 108V nominal battery systems

## BCH1KW ~ BCH2KW



DC OUTPUT					ALARMS			230VAC INPUT						
+	+	+	+	+ LED	-	-	-	COM	LBA	CFA	GND	N	PH	
1	2	3	4	5	6	7	8	9	10	11	12	1	2	3